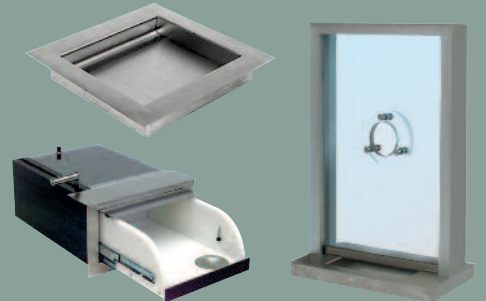




# BULLET RESISTANT TRANSACTION HARDWARE



- Bullet Resistant Windows and Barrier Systems
- Service and Pass-Thru Windows
- Ticket and Cashier Windows
- Deal Trays and Shelves
- Speak-Thrus and Communicators
- Mail Slots and Package Receivers
- Safety and Security Mirrors



## C.R. LAURENCE COMPANY

Worldwide Manufacturer and Supplier

Glazing, Architectural, Railing, Screen, Construction, Industrial, and Automotive Supplies

[crlaurence.com](http://crlaurence.com)  
[usalum.com](http://usalum.com)  
[crl-arch.com](http://crl-arch.com)



# CUSTOM TRANSACTION WINDOWS

MANUFACTURED BY C.R. LAURENCE

## STAPLES CENTER / CALIFORNIA

Home of the Los Angeles Lakers, Kings, Clippers and Sparks



Installation by Giroux Glass, Los Angeles, CA.

## KODAK THEATRE / CALIFORNIA

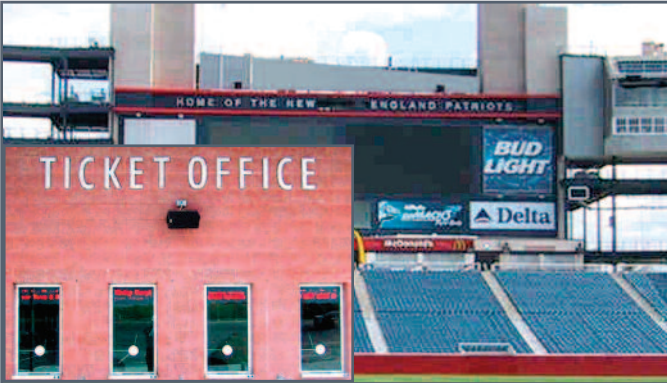
Home of the Academy Awards



Installation by Model Glass, Anaheim, CA.

## GILLETTE STADIUM / MASSACHUSETTS

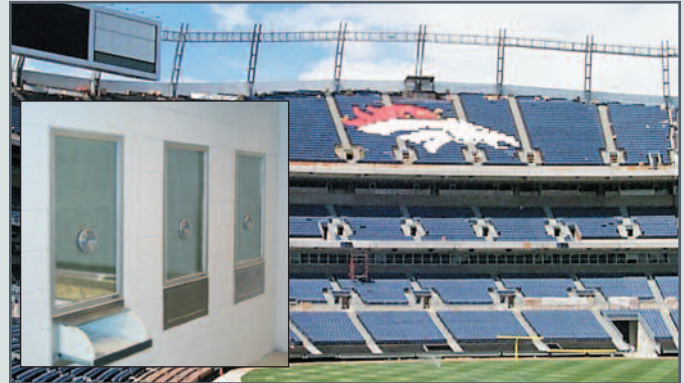
Home of the New England Patriots



Installation by Tower Glass Co. Inc., Woburn, MA.

## INVESCO FIELD AT MILE HIGH / COLORADO

Home of the Denver Broncos



Installation by A-1 Glass Inc., Englewood, CO.

## COMERICA PARK / MICHIGAN

Home of the Detroit Tigers



Installation by Universal Glass and Metal Inc., Detroit, MI.

## AT&T PARK / CALIFORNIA

Home of the San Francisco Giants



Installation by Architectural Glass & Aluminum, Oakland, CA.

**OTHER VENUES NOT PICTURED:** Yankee Stadium, Mets Citi Field, and KC Royals Kaufmann Stadium

# PROJECTS BY CRL

## MAJOR CORPORATIONS AND OTHER VENUES

- AAMCO
- American Honda Motor Co.
- Amoco
- Best Western
- Brusters
- Burger King
- Charles Schwab
- Chevron
- Circle K
- Coca-Cola
- Comcast Cablevision
- Dairy Queen
- DHL Worldwide
- Disney Red Cat Theatre
- Disneyland
- El Pollo Loco
- General Motors
- Hollywood Bowl
- Jack in the Box
- Kmart
- Knott's Berry Farm
- Kodak Theatre
- Laredo Entertainment Center
- Lexus Corp.
- McDonald's
- Oklahoma City Court House
- Sysco
- Taco Bell
- Wal-Mart
- Wendy's

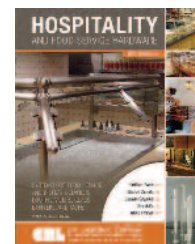


See CRL's full color catalog, with over 170 pages of Transaction Hardware items including specifications. May be viewed online at [crlaurence.com](http://crlaurence.com)

TH10 Transaction and Security Hardware Catalog

## SPORTS VENUES

- Adelphia Coliseum, TN
- American Airlines Arena, FL
- Angel Stadium, CA
- Arrowhead Stadium, MO
- AT&T Park, CA
- Beaver Stadium, PA
- Broward County Arena, FL
- Busch Stadium, MO
- Comerica Park, MI
- Crew Stadium, OH
- Devils Arena, NJ
- Dodger Stadium, CA
- Dunkin Donuts Center, RI
- Fifth Third Field, OH
- Ford Field, MI
- Fresno AAA Ballpark, CA
- Giant Center, PA
- Gillette Stadium, MA
- Grizzlies Ballpark, CA
- Heinz Field, PA
- Lexington Ballpark, KY
- Mets Citi Field, NY
- Minute Maid Park, TX
- Nationwide Arena, OH
- New Veterans Memorial Stadium, IA
- Orlando Arena, FL
- Panthers Stadium, FL
- Penn State University, PA
- Petco Park, CA
- PNC Park, PA
- Pocono Raceway, CA
- Qwest Field, WA
- Raley's Ballpark, CA
- RCA Dome, IN
- Reliant Stadium, TX
- Reser Stadium, OR
- Riverfront Stadium, NJ
- Rosenblatt Stadium, NE
- Russ Chandler Stadium, GA
- Ryder Center, FL
- Sovereign Bank Arena, NJ
- Staples Center, CA
- The Crown, OH
- Verizon Arena, NH
- Washington Ballpark, PA
- Yankee Stadium, NY



Over 200 full color pages of CRL Sneeze Guards, Partition Posts, Standoffs, Glass Barrier Systems and more. May be viewed online at [crlaurence.com](http://crlaurence.com)

HS12 Hospitality and Service Hardware Catalog



## BULLET RESISTANT PROTECTION LEVEL RATINGS

<p><b>IMPORTANT NOTE!</b></p> <p><b>Regarding UL 752 Protection Levels Assessment</b></p> <p>Protection Levels assigned to various products listed as "Bullet Resistant" are based on testing recognized under the standards established by Underwriters' Laboratories (UL) for bullet resisting components. Protection Levels listed for options available for Exchange Windows pertain only to the option itself. A Level 1 option used with a Level 3 option will yield an overall Protection Level 1 for the lowest rated option or component.</p> <p><b>Protection Level</b></p>	PROTECTION LEVEL RATING	UL 752 BALLISTICS DESCRIPTION	TYPICAL BULLET RESISTANT GLAZING MATERIALS	
	<b>LEVEL 1</b> <b>M.P.S.A.</b>	Medium Power Small Arms (9mm)		3/4" (19 mm) Laminated Polycarbonate 3/4" (19 mm) Glass Clad Polycarbonate* 1-1/4" (32 mm) Acrylic 1-1/4" (32 mm) Acrylic with Abrasion Resistant Coat 1-1/8" (28.5 mm) Laminated Glass 1-5/16" (33 mm) Laminated Glass
	<b>LEVEL 2</b> <b>H.P.S.A.</b>	High Power Small Arms (.357 Magnum)		1" (26 mm) Laminated Polycarbonate 1-3/8" (35 mm) Acrylic with Abrasion Resistant Coat 1-3/8" (35 mm) Laminated Glass
	<b>LEVEL 3</b> <b>S.P.S.A.</b>	Super Power Small Arms (.44 Magnum)		1-1/4" (32 mm) Laminated Polycarbonate 1-3/16" (30 mm) Glass Clad Polycarbonate ** 1-3/4" (44 mm) Glass Clad Polycarbonate 1-7/8" (48 mm) Laminated Glass
	<b>OTHER LEVELS</b>	(VARIES)		1-3/16" (30 mm) Glass Clad Polycarbonate Level 4 2-1/4" (57 mm) Laminated Glass Level 4 1-7/16" (36.5 mm) Glass Clad Polycarbonate Level 5 1-7/16" (36.5 mm) Glass Clad Polycarbonate Level 7 2" (51 mm) Glass Clad Polycarbonate Level 8

\*3/4" (19 mm) Glass Clad Polycarbonate Tested per HPW-TP-0500.03 (Equivalent to UL752 Level 1)

\*\*1-3/16"(30 mm) Glass Clad Polycarbonate Tested per NIJ Level IIIa (exceeds UL752 Level 3)

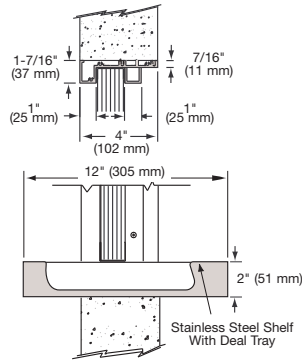
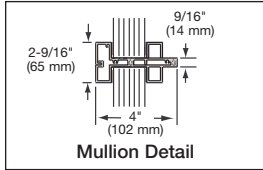
# FRAMED UNITS



SPECIFICATION ASSISTANCE  
**EXT. 7760**

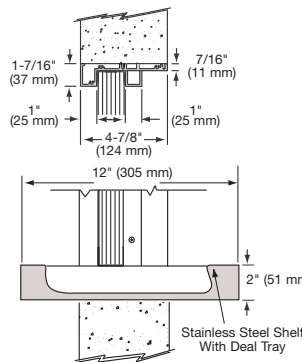
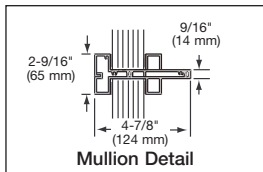
## ALUMINUM 4" INSET FRAME

Extruded 6063 T5 aluminum alloy, for walls with a 4" (102 mm) minimum thickness. Unit easily slides into wall opening and is secured by screws through the perimeter frame. Mullion shown is used in windows with multiple lites. Choose window options from specification chart.



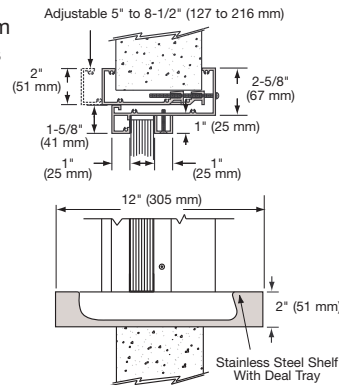
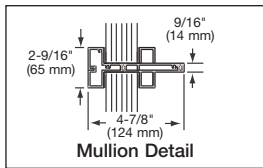
## ALUMINUM 4-7/8" INSET FRAME

Extruded 6063 T5 aluminum alloy, for walls with a 4-7/8" (124 mm) minimum thickness. Unit easily slides into wall opening and is secured by screws through perimeter frame. Mullion shown is used in windows with multiple lites. Choose window options from specification chart.



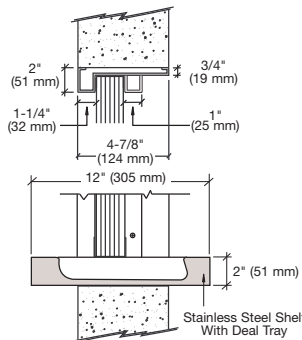
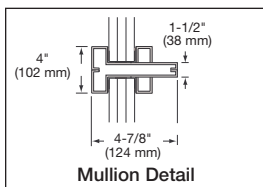
## ALUMINUM CLAMP-ON FRAME

Extruded 6063 T5 aluminum alloy, for walls from 5" to 8-1/2" (127 to 216 mm) thick. Frame clamps onto wall opening with screws positioned through the inside frame into the threaded section of the outside frame. Mullion shown is used in windows with multiple lites. Choose window options from specification chart.



## STAINLESS STEEL 4-7/8" INSET FRAME

Type 304 stainless steel 11 gauge # 4 finish, for walls with a minimum thickness of 4-7/8" (124 mm). Corners are mitered and welded. Mullion shown is used in windows with multiple lites. Choose window options from specification chart.



## SPECIFICATIONS

### Use This Component Menu to Design the Exchange Window of Your Choice

#### Window Type:

- Exterior Installation with Speak-Thru
- Interior Installation with Surround Sound
- Solid Vision Window
- Multi-Lite Window

#### Glazing Material:

- Any Non-Bullet Resistant Glass
- 3/4" (19 mm) Level 1 Bullet Resistant Polycarbonate
- 1-1/4" (32 mm) Level 1 Bullet Resistant Acrylic
- 1-1/4" (32 mm) Level 1 Bullet Resistant Acrylic with SAR Coating
- 1-5/16" (33 mm) Level 1 Bullet Resistant Glass
- 1" (25 mm) Level 2 Bullet Resistant Polycarbonate
- 1-3/8" (35 mm) Level 2 Bullet Resistant Glass
- 1-1/4" (32 mm) Level 3 Bullet Resistant Polycarbonate
- 1-7/8" (48 mm) Level 3 Bullet Resistant Glass
- Glass-Clad Polycarbonates

#### Speak-Thru Options:

- Standard Non-Bullet Resistant
- Bullet Resistant
- Electronic Non-Bullet Resistant
- Electronic Bullet Resistant
- Surround Sound (Voice through frame)

#### Aluminum Frames:

- Narrow Inset Type for Walls 4" (102 mm) or Thicker
- Standard Inset Type for Walls 4-7/8" (124 mm) or Thicker
- Clamp-On Type for Walls 5" to 8-1/2" (127 to 216 mm) Thick

#### Stainless Steel Frame:

- Standard Inset Type for Walls 4-7/8" (124 mm) or Thicker (Brushed #4 Finish)

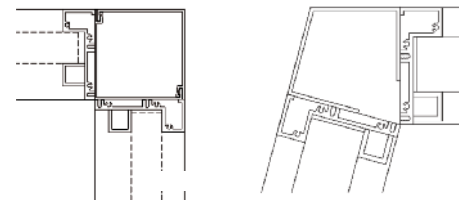
#### Aluminum Frame Finishes:

- Satin Anodized
- Duranodic Bronze
- Powder Coat (choice of 184 RAL colors)
- Kynar® Paint (specify color)

#### Other Options:

- 12" (305 mm) Shelf
- 18" (457 mm) Shelf
- Custom Shelf
- No Shelf (for Vision Window) Separate Deal Tray
- Stainless Steel Shelf with Deal Tray
- Laminated Shelf with Deal Tray
- Drain Holes
- Weather Flap
- Sliding Panels
- Custom Options on Request

### Corners and Break Metals Available



# CRL TRANSACTION WINDOWS



## Custom Made Per Your Design



Multi-Lite With Drop Down and Transom



Inset Frame Window With Plastic Glazing and Clear View Speak-Thru



Inset Frame Multi-Lite Window With Clear Package Receiver and Surround Sound



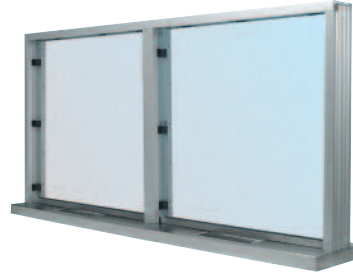
Inset Frame Window With N666 Steel Speak-Thru, 12" (305 mm) Steel Shelf and Tray



Inset Frame Window Over TD1724 Transaction Drawer



Three Sided Frame Over Tray Inset in Counter



Interior Multi-Lite Window With Surround Sound



Inset Frame Window With Surround Sound, 18" (457 mm) Steel Shelf



Inset Frame Window With N555 Polished Steel Speak-Thru, 12" (305 mm) Steel Shelf and Tray



Clamp-On Frame Window With N666 Steel Speak-Thru, 12" (305 mm) Steel Shelf and Tray



Clamp-On Frame Window With Special Hinged Panel Through Plastic Glazing



Inset Frame Multi-Lite Window With N666 Steel Speak-Thrus, 12" (305 mm) Steel Shelf and Deal Trays

# CRL BULLET RESISTANT SLIDING WINDOWS

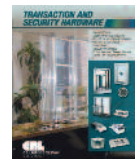
## Interior Window

- Interior Bullet Resistant Slider
- OX, XO, OXO, XOX Formats
- Can Be Built into Larger Barriers
- Available in Level 1 or Level 3



## Exterior Window

- Exterior Bullet Resistant Slider
- Fully Weatherized
- OX or XO Formats
- Available in Level 1 Only



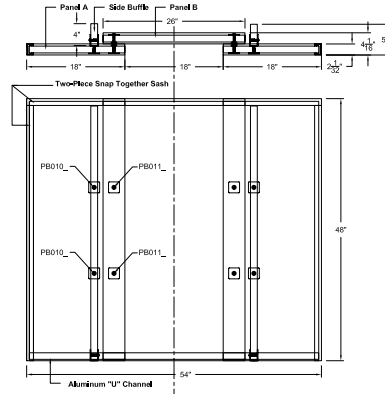
View **TH10** online at [crlaurence.com](http://crlaurence.com) for more details.

# CRL PRE-ENGINEERED MINI BARRIERS

## An Elegant Alternative for Reception Security

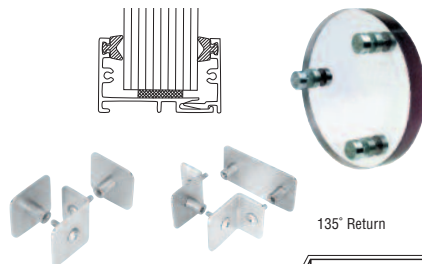
CRL's pre-engineered Mini Barriers provide an elegant alternative for reception security. Available in bullet resistant levels 1 or 3, Mini Barriers can be used in conjunction with deal trays or transaction drawers. The pictured unit is designed for wall openings 54" wide x 48" high (1372 x 1219 mm). Custom sizes and configurations can also be made to your specifications. Low profile aluminum extrusions and stainless steel clamps hold plastic glazing securely in place, maximizing vision area and air flow without the need for speak-thru devices or bulky hardware. Don't sacrifice aesthetics for security. Contact CRL's Transaction Hardware Department at Extension 7760 for more information on the Mini Barrier alternative.

## "Natural Voice Transmission" Protective Barrier System



# CRL TRANSPARENT BULLET RESISTANT BARRIER SYSTEMS

- Banks
- Casino Cages
- Check Cashing
- Convenience Stores
- Government Offices
- Motels
- Pharmacies
- Police Stations



CRL engineers and fabricates complete Barrier Systems to your specifications. See CRL's TH10 Catalog for the special clamps, channels, and sash employed. Available in Acrylic (UL 752 Level 1), Polycarbonate (UL 752 Level 3), and other plastic glazing materials. Call CRL for design assistance at (800) 421-6144 in the U.S., (877) 421-6144 from Canada, or (323) 588-1281 International, and ask for Ext. 7760.



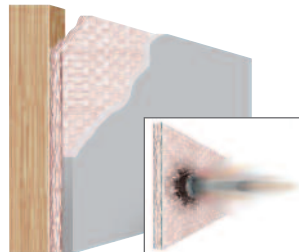
# CRL BULLET RESISTANT DOORS

- Stock and Custom Sizes Available With or Without Vision Lite
- All UL 752 Protection Levels Available
- Interior or Exterior



Bullet Resistant Doors are fabricated from prime quality cold rolled steel, and include a baked-on rust inhibitive oxide primer. Standard components include: continuous geared aluminum hinge; surface mounted door closer; keyed cylinder lock; standard lever handles. Custom sizes and options are available on special order.

# CRL BULLET RESISTANT FIBERGLASS PANELS



Panels Absorb Impact of Projectiles

- Protective Panels for Lining Doors and Walls Surrounding Security Enclosures
- Available to Protection Level 3 (.44 Magnum S.P.S.A.) and Above
- Typical Applications: Bank Teller Counters, Ticket Booths, Judge's Benches, Security Enclosures, and More

## Specifications:

**Material:** Fiberglass - Reinforced Structural Polyester Laminated with Fiberglass Scrim.  
**Finish:** Panels may be covered with drywall, or clad with plastic laminate if desired.

**Cutting:** Can be accomplished with a Circular Saw, Table Saw, Panel Saw or Saber Saw. We recommend the use of a carbide "Grit Edge" blade for ease of cutting.

**Drilling:** High Speed Steel Drill Bits at a low speed.

CAT. NO.	PROTECTION LEVEL*	PANEL THICKNESS	WEIGHT PER 96" X 48" PANEL	IMPACT VELOCITIES
BRF100	1 M.P.S.A.	1/4"	84 Lb	1250 Ft./Sec.
BRF200	2 H.P.S.A.	3/8"	110 Lb	1395 Ft./Sec.
BRF300	3 S.P.S.A.	7/16"	138 Lb	1470 Ft./Sec.

\* Levels per UL 752 Ballistic Performance Requirements.

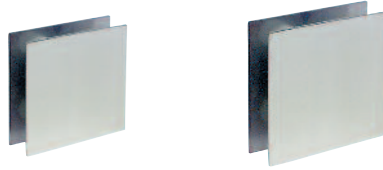
# CRL BULLET RESISTANT SPEAK-THRUS

**Round Speak-Thru**  
(Exterior or Interior)



**N666 (Stainless Steel)**  
Level 3 Protection

**Square Speak-Thru**  
(Interior only)



**N555 (Stainless Steel)** Level 2 or 3 Protection  
**N777 (Stainless Steel)** Level 2 or 3 Protection

**Clear Vision Speak-Thru**  
(Interior Plastic Glazing only)



**CAD101 (Acrylic)** Level 1 Protection  
**CLD103 (Polycarbonate)** Level 3 Protection



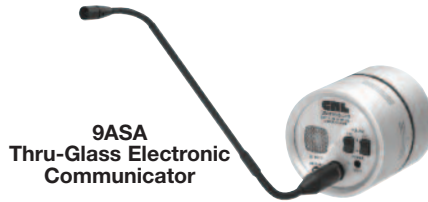
**VLF1**  
CRL Vision Lite Frame for Non-Bullet Resistant Doors

# CRL ELECTRONIC COMMUNICATORS

Bullet-Resistant and Customized Units Available



**C9ASA**  
Countertop Electronic Communicator

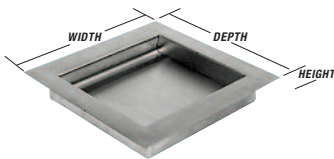


**9ASA**  
Thru-Glass Electronic Communicator



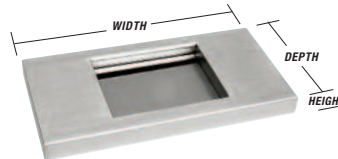
**9WHS**  
Optional Wireless Headset

# CRL DEAL TRAYS AND STAINLESS STEEL SHELVES *Custom Sizes Available*



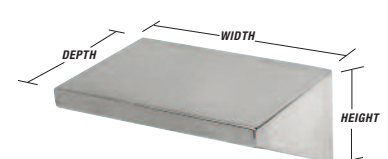
Non-Ricochet Bullet Resistant Deal Tray

CAT. NO.	SIZE (W x D x H)	PROTECTION*
<b>BRT112</b>	12" x 11" x 1-3/4"	Level 1
<b>BRT116</b>	16" x 11" x 1-3/4"	Level 1
<b>BRT312</b>	12" x 12" x 2"	Level 3
<b>BRT316</b>	16" x 12" x 2"	Level 3



Stainless Steel Shelf With Non-Ricochet Bullet Resistant Deal Tray

"SSDT" SERIES	SIZES	PROTECTION*
<b>Standard Widths:</b>	24", 30", 36", 48", 60", 72"	Level 1
<b>Standard Depths:</b>	12", 18"	
<b>Standard Height:</b>	2"	

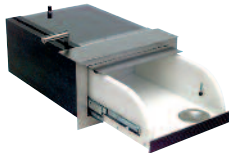


Stainless Steel Purse Shelf (Not Rated for Bullet Resistance)

CAT. NO.	SIZE (W x D x H*)
<b>SSS1208</b>	12" x 8" x 5-1/4"
<b>SSS1912</b>	19" x 12" x 4"

\* Rear Height

# CRL TRANSACTION DRAWERS AND PACKAGE RECEIVERS



Large Capacity Transaction Drawer

CAT. NO.	SIZE (W x D x H)	PROTECTION*
<b>TD1724</b>	17" x 24" x 9-7/8"	Level 1
<b>TD1724TW*</b>	17" x 24" x 9-7/8"	Level 1

\*Thru-Wall Installation



Transaction and Cash Box Drawer

CAT. NO.	SIZE (W x D x H)	PROTECTION*
<b>FL4463</b>	18" x 25" x 5"	NOT RATED (Includes Cash Till)



Pass-Thru Hopper

CAT. NO.	SIZE (W x D x H)	PROTECTION*
<b>HOP1611</b>	16" x 9" x 11"	Level 2
<b>HOP1611TW*</b>	18" x 9" x 12"	Level 2

\*Thru-Wall Installation



Deep Transaction Drawer

CAT. NO.	SIZE (W x D x H)	PROTECTION*
<b>FL3246C</b>	16" x 21" x 10"	NOT RATED



Package Receiver with Stainless Steel Doors

CAT. NO.	SIZE (W x D x H)	PROTECTION*
<b>SPR1</b>	18-1/2" x 16" x 18-1/2"	Level 1
<b>SPR3</b>	18-1/2" x 16" x 18-1/2"	Level 3



Package Receiver with Vision Panel

CAT. NO.	SIZE (W x D x H)	PROTECTION*
<b>SPRVP1</b>	18-1/2" x 16" x 18-1/2"	Level 1
<b>SPRVP3</b>	18-1/2" x 16" x 18-1/2"	Level 3



Clear Package Receiver

CAT. NO.	SIZE (W x D x H)	PROTECTION*
<b>CPR1</b>	16" x 16" x 16"	Level 1
<b>CPR31</b>	16" x 16" x 16"	Level 3



Rotary Server with Vision Panel

CAT. NO.	SIZE (W x D x H)	PROTECTION*
<b>RSVW1</b>	16" x 12-1/2" x 16"	Level 1

\* Protections Levels per UL 752

# MORE C.R. LAURENCE PRODUCTS AND SERVICES

## PASS-THRU WINDOWS



Horizontal Sliding Windows

Multi-Panel Windows



Bi-Fold Windows



Drive-Thru Windows



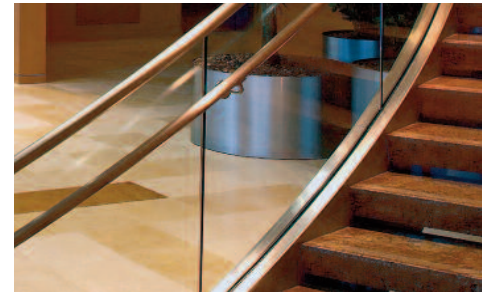
Walk-Up Windows

## CRL Glass Railing System

- Glass Railings Designed, Tested, and Engineered by CRL
- For Commercial and Residential Applications
- Reduces Installation Time By 50%
- Supports 1/2" (12 mm), 15 mm, and 3/4" (19 mm) Monolithic Tempered Glass and 9/16", 27/32" and 1-1/16" (13.52, 21.52 and 25.52 mm) Laminated Tempered Glass
- Miami-Dade County Certified and IBC Compliant



The installation process just got easier with CRL's innovative Horizontal TAPER-LOC™ dry glazed design. This patent pending system will reduce your installation time by more than 50%, and has been tested and engineered to meet the strictest building code requirements.



## CRL Specialty Catalogs - Can be ordered, viewed or downloaded online at [crlaurence.com](http://crlaurence.com)



Transaction and Security Hardware  
**TH10**



Hospitality and Service Hardware  
**HS12**



Door Controls Hardware and Accessories  
**DC14**



Commercial Door Handles  
**LP11**



Architectural Hardware  
**AH11**



Architectural Metals  
**AM09**



Architectural Railing Systems  
**HR11**



Frameless Shower Door Hardware  
**SD12**



Glass Bonding System  
**GB10**

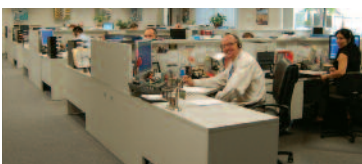
## Welcome to the C.R. Laurence Global Web Site



### ONLINE FEATURES INCLUDE:

- Access to All CRL Products Through CRL's Easy-to-Use A to Z Product Index
- Fast and Secure Sign On Process
- Ask Technical and Product Questions Online
- Find Products and Pricing Online Instantly
- View All Current Catalogs Online
- Technical Articles and Product Support
- Ordering and Shipping Information
- Beautiful Installation Photos With CRL Products
- CRL Locations With Addresses, Directions, Phone and Fax Numbers
- Direct E-Mail Connections to CRL Departments
- Account Policies and Credit Terms
- A Calendar of Industry Trade Shows

Visit CRL's "Installation Image Gallery" @ [crlaurence.com](http://crlaurence.com) for more beautiful glass entrance photos



## Technical Sales Department for All Your Project Requirements

C.R. Laurence Company has a Technical Sales Department to assist with design plans and application questions. Your job can be made easier with the help of CRL's Technical Sales Representatives who are trained in the newest Hardware Systems, and can offer you detailed diagrams and layout sheets. Ask for Extension 7760.